

=====

BILL OF MATERIALS FOR: 0300-4985-01D FRD21187 Thu Aug 12 09:18:01 2004

=====

Qty	ONAN PN	Description	Ref
AR	0524-0724-01	COMPOUND-POTTING-(PART A) (,,,)	
AR	0880-0003	SOLDER-BAR- (,,,)	
AR	0524-0724-02	COMPOUND-POTTING-(PART B) (,,,)	
1	0327-1295	PCB-RAW-(FIRST STRT PT) (,,,)	A1
1	0098-5926	LABEL-BARCODE- (,,,)	A2
1	0TS4-2055	TEST SPEC-ICT (,,,)	A5
1	0TS9-9181	TEST SPEC-(FINAL) (,,,)	A6
1	0323-1605-01	CONNECTOR-PLUG-(FOR J1) (,,,)	A8
1	0326-0260	CODE-FIRMWARE-(1st STRT,U1) (,,,)	A9
1	0319-3342	ENCLOSURE-PCB- (,,,)	A12
1	0098-6813	LABEL-PCC BUS PT-(TB1) (,,,)	A13
1	0098-6814	LABEL-PCC BUS PT-(TB2) (,,,)	A14
1	0098-7697	LABEL-FIRST ST PT- (,,,)	A15
2	0322-0444-02	STANDOFF-LED-(FOR DS1,DS2) (,,,)	A16,A17
5	0340-0057-23	Capacitor-Ceramic (SMD,.10uF,50V,10%)	C1,C2,C4,C5,C8
1	0340-0089-13	Capacitor-Alu_Elec (SMD,100uF,50V,20%)	C6
2	0340-0089-09	Capacitor-Alu_Elec (SMD,10uF,50V,20%)	C3,C7
1	0340-0152-01	Rectifier-Ultrafast[SMD] (600V-1A,,)	CR2
9	0340-0200-02	Rectifier-General[SMD] (400V-1A,,)	CR1,CR3,CR4,CR5,CR6,CR7,CR8,CR9,CR10
1	0322-0448	Lamp-LED (Amber,,)	DS1
1	0322-0449	Lamp-LED (Green,,)	DS2
1	0323-1808-01	Connector-Header-Blk (23-pin,,)	J1
2	0340-0013	Transistor-NPN (2N2222A[SMD],,350mW,)	Q1,Q2
1	0340-0014	Transistor-PNP (2N2907A[SMD],,350mW,)	Q3
3	0340-0039-94	Resistor-Metal_Film (SMD,1.00K,1/10W,1%)	R1,R4,R9
1	0340-0052-42	Resistor-Metal_Film (SMD,10,2W,5%)	R2
1	0340-0041-21	Resistor-Metal_Film (SMD,20.0K,1/10W,1%)	R3
1	0340-0039-82	Resistor-Metal_Film (SMD,750,1/10W,1%)	R8
1	0340-0040-60	Resistor-Metal_Film (SMD,4.75K,1/10W,1%)	R10
2	0340-0040-24	Resistor-Metal_Film (SMD,2.00K,1/10W,1%)	R7,R12
3	0340-0039-48	Resistor-Metal_Film (SMD,332,1/10W,1%)	R16,R17,R18
3	0351-1600-41	Resistor-MetalOxide (,51K,5W,5%)	R19,R20,R21
8	0340-0040-91	Resistor-Metal_Film (SMD,10.0K,1/10W,1%)	R5,R6,R11,R13,R14,R15,R22,R23
1	0350-1235-01	RESISTOR-I_Sense (5.21_@25C,5.21,,)	RS1
3	0315-0746-01	Transformer-Power (,120:18,,)	T1,T2,T3
1	0332-3218	Connector-Term-Blk (4pl,,)	TB1
1	0332-3226	Connector-Term-Blk (6pl,,)	TB2
2	0332-3209	Connector-Term-Blk (4pl,,)	TB13,TB14
1	0340-0259	IC-Opto-Iso (PS2801,,)	U2
1	0367-0301	IC-Adj_Reg (LM317,,0.50%)	U4
1	0340-0081	IC-Undervolt_Sense (33064[SMD],,,)	U5
3	0340-0491	IC-Adj_Volt-Reg (317L[SMD],,,)	U3,U6,U7
2	0359-0103	Diode-Volt_Suppressor (39V,,)	VR1,VR2
3	0359-0106	Varistor-Metoxide (420V,,)	VR3,VR4,VR5
1	0360-0016-03	Resonator-Ceramic (4MHz,,0.50%)	X1
-----			
82	Total No. Parts		

=====

BILL OF MATERIALS FOR: 0300-4985-02D FRD21187 Thu Aug 12 09:19:57 2004

=====

Qty	ONAN PN	Description	Ref
AR	0524-0724-01	COMPOUND-POTTING-(PART A) (,,,)	
AR	0880-0003	SOLDER-BAR- (,,,)	
AR	0524-0724-02	COMPOUND-POTTING-(PART B) (,,,)	
1	0327-1295	PCB-RAW-(FIRST STRT PT) (,,,)	A1
1	0098-5926	LABEL-BARCODE- (,,,)	A2

1	0TS4-2055	TEST SPEC-ICT (,,,)	A5
1	0TS9-9181	TEST SPEC-(FINAL) (,,,)	A6
1	0323-1605-01	CONNECTOR-PLUG-(FOR J1) (,,,)	A8
1	0326-0260	CODE-FIRMWARE-(1st STRT,U1) (,,,)	A9
1	0319-3342	ENCLOSURE-PCB- (,,,)	A12
1	0098-6813	LABEL-PCC BUS PT-(TB1) (,,,)	A13
1	0098-6814	LABEL-PCC BUS PT-(TB2) (,,,)	A14
1	0098-7697	LABEL-FIRST ST PT- (,,,)	A15
2	0322-0444-02	STANDOFF-LED-(FOR DS1,DS2) (,,,)	A16,A17
5	0340-0057-23	Capacitor-Ceramic (SMD,.10uF,50V,10%)	C1,C2,C4,C5,C8
1	0340-0089-13	Capacitor-Alu_Elec (SMD,100uF,50V,20%)	C6
2	0340-0089-09	Capacitor-Alu_Elec (SMD,10uF,50V,20%)	C3,C7
1	0340-0152-01	Rectifier-Ultrafast[SMD] (600V-1A,,)	CR2
9	0340-0200-02	Rectifier-General[SMD] (400V-1A,,)	CR1,CR3,CR4,CR5,CR6,CR7,CR8,CR9,CR10
1	0322-0448	Lamp-LED (Amber,,)	DS1
1	0322-0449	Lamp-LED (Green,,)	DS2
1	0323-1808-01	Connector-Header-Blk (23-pin,,)	J1
2	0340-0013	Transistor-NPN (2N2222A[SMD],,350mW,)	Q1,Q2
1	0340-0014	Transistor-PNP (2N2907A[SMD],,350mW,)	Q3
3	0340-0039-94	Resistor-Metal_Film (SMD,1.00K,1/10W,1%)	R1,R4,R9
1	0340-0052-42	Resistor-Metal_Film (SMD,10,2W,5%)	R2
1	0340-0041-21	Resistor-Metal_Film (SMD,20.0K,1/10W,1%)	R3
1	0340-0039-82	Resistor-Metal_Film (SMD,750,1/10W,1%)	R8
1	0340-0040-60	Resistor-Metal_Film (SMD,4.75K,1/10W,1%)	R10
2	0340-0040-24	Resistor-Metal_Film (SMD,2.00K,1/10W,1%)	R7,R12
3	0340-0039-48	Resistor-Metal_Film (SMD,332,1/10W,1%)	R16,R17,R18
3	0351-1600-49	Resistor-MetalOxide (,110K,5W,5%)	R19,R20,R21
8	0340-0040-91	Resistor-Metal_Film (SMD,10.0K,1/10W,1%)	R5,R6,R11,R13,R14,R15,R22,R23
1	0350-1235-01	RESISTOR-I_Sense (5.21_@25C,5.21,,)	RS1
3	0315-0746-02	Transformer-Power (,240:18,,)	T1,T2,T3
1	0332-3218	Connector-Term-Blk (4pl,,)	TB1
1	0332-3226	Connector-Term-Blk (6pl,,)	TB2
2	0332-3209	Connector-Term-Blk (4pl,,)	TB13,TB14
1	0340-0259	IC-Opto-Iso (PS2801,,)	U2
1	0367-0301	IC-Adj_Reg (LM317,,0.50%)	U4
1	0340-0081	IC-Undervolt_Sense (33064[SMD],,,)	U5
3	0340-0491	IC-Adj_Volt-Reg (317L[SMD],,,)	U3,U6,U7
2	0359-0103	Diode-Volt_Suppressor (39V,,)	VR1,VR2
3	0359-0106	Varistor-Metoxide (420V,,)	VR3,VR4,VR5
1	0360-0016-03	Resonator-Ceramic (4MHz,,0.50%)	X1

-----

82 Total No. Parts

=====

BILL OF MATERIALS FOR: 0300-4985-03D FRD21187 Thu Aug 12 09:21:01 2004

=====

Qty	ONAN PN	Description	Ref
AR	0524-0724-01	COMPOUND-POTTING-(PART A) (,,,)	
AR	0880-0003	SOLDER-BAR- (,,,)	
AR	0524-0724-02	COMPOUND-POTTING-(PART B) (,,,)	
1	0327-1295	PCB-RAW-(FIRST STRT PT) (,,,)	A1
1	0098-5926	LABEL-BARCODE- (,,,)	A2
1	0TS4-2055	TEST SPEC-ICT (,,,)	A5
1	0TS9-9181	TEST SPEC-(FINAL) (,,,)	A6
1	0323-1605-01	CONNECTOR-PLUG-(FOR J1) (,,,)	A8
1	0326-0260	CODE-FIRMWARE-(1st STRT,U1) (,,,)	A9
1	0319-3342	ENCLOSURE-PCB- (,,,)	A12
1	0098-6813	LABEL-PCC BUS PT-(TB1) (,,,)	A13
1	0098-6814	LABEL-PCC BUS PT-(TB2) (,,,)	A14
1	0098-7697	LABEL-FIRST ST PT- (,,,)	A15
2	0322-0444-02	STANDOFF-LED-(FOR DS1,DS2) (,,,)	A16,A17
5	0340-0057-23	Capacitor-Ceramic (SMD,.10uF,50V,10%)	C1,C2,C4,C5,C8
1	0340-0089-13	Capacitor-Alu_Elec (SMD,100uF,50V,20%)	C6

2	0340-0089-09	Capacitor-Alu_Elec (SMD,10uF,50V,20%)	C3,C7
1	0340-0152-01	Rectifier-Ultrafast[SMD] (600V-1A,,,) )	CR2
9	0340-0200-02	Rectifier-General[SMD] (400V-1A,,,) )	CR1,CR3,CR4,CR5,CR6,CR7,CR8,CR9,CR10
1	0322-0448	Lamp-LED (Amber,,,) )	DS1
1	0322-0449	Lamp-LED (Green,,,) )	DS2
1	0323-1808-01	Connector-Header-Blk (23-pin,,,) )	J1
2	0340-0013	Transistor-NPN (2N2222A[SMD],,350mW,)	Q1,Q2
1	0340-0014	Transistor-PNP (2N2907A[SMD],,350mW,)	Q3
3	0340-0039-94	Resistor-Metal_Film (SMD,1.00K,1/10W,1%)	R1,R4,R9
1	0340-0052-42	Resistor-Metal_Film (SMD,10,2W,5%)	R2
1	0340-0041-21	Resistor-Metal_Film (SMD,20.0K,1/10W,1%)	R3
1	0340-0039-82	Resistor-Metal_Film (SMD,750,1/10W,1%)	R8
1	0340-0040-60	Resistor-Metal_Film (SMD,4.75K,1/10W,1%)	R10
2	0340-0040-24	Resistor-Metal_Film (SMD,2.00K,1/10W,1%)	R7,R12
3	0340-0039-48	Resistor-Metal_Film (SMD,332,1/10W,1%)	R16,R17,R18
3	0351-1600-52	Resistor-MetalOxide (,150K,5W,5%)	R19,R20,R21
8	0340-0040-91	Resistor-Metal_Film (SMD,10.0K,1/10W,1%)	R5,R6,R11,R13,R14,R15,R22,R23
1	0350-1235-01	RESISTOR-I_Sense (5.21_@25C,5.21,,)	RS1
3	0315-0746-03	Transformer-Power (,346:18,,)	T1,T2,T3
1	0332-3218	Connector-Term-Blk (4pl,,,) )	TB1
1	0332-3226	Connector-Term-Blk (6pl,,,) )	TB2
2	0332-3209	Connector-Term-Blk (4pl,,,) )	TB13,TB14
1	0340-0259	IC-Opto-Iso (PS2801,,,) )	U2
1	0367-0301	IC-Adj_Reg (LM317,,0.50%)	U4
1	0340-0081	IC-Undervolt_Sense (33064[SMD],,,)	U5
3	0340-0491	IC-Adj_Volt-Reg (317L[SMD],,,)	U3,U6,U7
2	0359-0103	Diode-Volt_Suppressor (39V,,,) )	VR1,VR2
3	0359-0106	Varistor-Metoxide (420V,,,) )	VR3,VR4,VR5
1	0360-0016-03	Resonator-Ceramic (4MHz,,0.50%)	X1

82 Total No. Parts

=====

BILL OF MATERIALS FOR: 0300-4985-04D FRD21187 Thu Aug 12 09:21:31 2004

=====

Qty	ONAN PN	Description	Ref
AR	0524-0724-01	COMPOUND-POTTING-(PART A) (,,,) )	
AR	0880-0003	SOLDER-BAR- (,,,) )	
AR	0524-0724-02	COMPOUND-POTTING-(PART B) (,,,) )	
1	0327-1295	PCB-RAW-(FIRST STRT PT) (,,,) )	A1
1	0098-5926	LABEL-BARCODE- (,,,) )	A2
1	0TS4-2055	TEST SPEC-ICT (,,,) )	A5
1	0TS9-9181	TEST SPEC-(FINAL) (,,,) )	A6
1	0323-1605-01	CONNECTOR-PLUG-(FOR J1) (,,,) )	A8
1	0326-0260	CODE-FIRMWARE-(1st STRT,U1) (,,,) )	A9
1	0319-3342	ENCLOSURE-PCB- (,,,) )	A12
1	0098-6813	LABEL-PCC BUS PT-(TB1) (,,,) )	A13
1	0098-6814	LABEL-PCC BUS PT-(TB2) (,,,) )	A14
1	0098-7697	LABEL-FIRST ST PT- (,,,) )	A15
2	0322-0444-02	STANDOFF-LED-(FOR DS1,DS2) (,,,) )	A16,A17
5	0340-0057-23	Capacitor-Ceramic (SMD,.10uF,50V,10%)	C1,C2,C4,C5,C8
1	0340-0089-13	Capacitor-Alu_Elec (SMD,100uF,50V,20%)	C6
2	0340-0089-09	Capacitor-Alu_Elec (SMD,10uF,50V,20%)	C3,C7
1	0340-0152-01	Rectifier-Ultrafast[SMD] (600V-1A,,,) )	CR2
9	0340-0200-02	Rectifier-General[SMD] (400V-1A,,,) )	CR1,CR3,CR4,CR5,CR6,CR7,CR8,CR9,CR10
1	0322-0448	Lamp-LED (Amber,,,) )	DS1
1	0322-0449	Lamp-LED (Green,,,) )	DS2
1	0323-1808-01	Connector-Header-Blk (23-pin,,,) )	J1
2	0340-0013	Transistor-NPN (2N2222A[SMD],,350mW,)	Q1,Q2
1	0340-0014	Transistor-PNP (2N2907A[SMD],,350mW,)	Q3
3	0340-0039-94	Resistor-Metal_Film (SMD,1.00K,1/10W,1%)	R1,R4,R9

1	0340-0052-42	Resistor-Metal_Film (SMD,10,2W,5%)	R2
1	0340-0041-21	Resistor-Metal_Film (SMD,20.0K,1/10W,1%)	R3
1	0340-0039-82	Resistor-Metal_Film (SMD,750,1/10W,1%)	R8
1	0340-0040-60	Resistor-Metal_Film (SMD,4.75K,1/10W,1%)	R10
2	0340-0040-24	Resistor-Metal_Film (SMD,2.00K,1/10W,1%)	R7,R12
3	0340-0039-48	Resistor-Metal_Film (SMD,332,1/10W,1%)	R16,R17,R18
3	0351-1600-41	Resistor-MetalOxide (,51K,5W,5%)	R19,R20,R21
8	0340-0040-91	Resistor-Metal_Film (SMD,10.0K,1/10W,1%)	R5,R6,R11,R13,R14,R15,R22,R23
1	0350-1235-01	RESISTOR-I_Sense (5.21_@25C,5.21,,)	RS1
3	0315-0746-04	Transformer-Power (,69:18,,)	T1,T2,T3
1	0332-3218	Connector-Term-Blk (4pl,,,) )	TB1
1	0332-3226	Connector-Term-Blk (6pl,,,) )	TB2
2	0332-3209	Connector-Term-Blk (4pl,,,) )	TB13,TB14
1	0340-0259	IC-Opto-Iso (PS2801,,,) )	U2
1	0367-0301	IC-Adj_Reg (LM317,,0.50%)	U4
1	0340-0081	IC-Undervolt_Sense (33064[SMD],,,)	U5
3	0340-0491	IC-Adj_Volt-Reg (317L[SMD],,,)	U3,U6,U7
2	0359-0103	Diode-Volt_Suppressor (39V,,,) )	VR1,VR2
3	0359-0106	Varistor-Metoxide (420V,,,) )	VR3,VR4,VR5
1	0360-0016-03	Resonator-Ceramic (4MHz,,0.50%)	X1

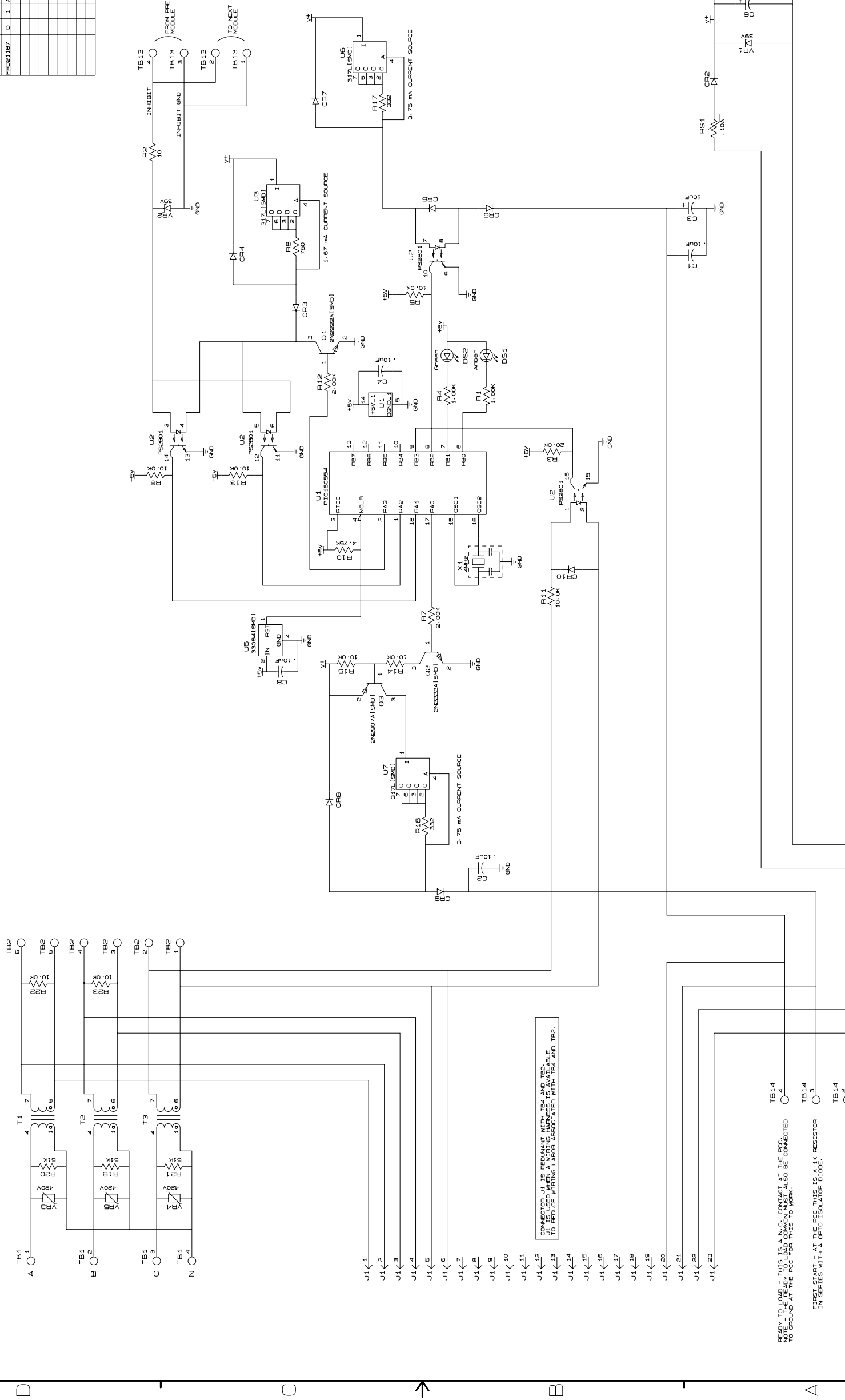
-----

82 Total No. Parts

0300-4985

REV. NO.	DATE	DESCRIPTION	BY	CHKD.	APPROVED	DATE
FR02463	A	1 PRODUCTION RELEASE			MMS	02-28-01
FR02929	B	1 SEE SHEET 2			MMS	02-28-01
FR03323	C	1 ADD R25-R31, CHG VALUE R3, R11			MMS	07-26-01
		2 SWAP CIRCUIT POSITION OF R51 AND CR2			MMS	07-26-01
		3 SEE SHEET 2			MMS	07-26-01
		4 SEE SHEET 2			MMS	07-26-01
		5 SEE SHEET 2			MMS	07-26-01
		6 SEE SHEET 2			MMS	07-26-01
		7 SEE SHEET 2			MMS	07-26-01
		8 SEE SHEET 2			MMS	07-26-01
FR05187	D	1 ADD 0362-0444-02, QTY. 2, FOR DS1, DS2			GSJ	08-12-04

INHIBIT SIGNAL MMS SYSTEM  
 GROUND DAILY CHARGED  
 BATTERY MODULES  
 FROM PREVIOUS  
 MODULE  
 TO NEXT  
 MODULE



TOLERANCES UNLESS OTHERWISE SPECIFIED		SIM TO		QTY		ITEM PART NO.		DESCRIPTION OR MATERIAL		DATE	
MM	INCH	COPIED	USED			NAME	SIZE				
± .004	.004					MARK R. DALSKO		08-08-00			
± .005	.005					MARK SCHULTZ		08-08-00			
± .007	.007										
± .010	.010										
± .015	.015										
± .020	.020										
± .030	.030										
± .040	.040										
± .050	.050										
± .060	.060										
± .070	.070										
± .080	.080										
± .090	.090										
± .100	.100										
± .125	.125										
± .150	.150										
± .175	.175										
± .200	.200										
± .250	.250										
± .300	.300										
± .375	.375										
± .450	.450										
± .500	.500										
± .625	.625										
± .750	.750										
± .875	.875										
± 1.000	1.000										
± 1.250	1.250										
± 1.500	1.500										
± 1.750	1.750										
± 2.000	2.000										
± 2.500	2.500										
± 3.000	3.000										
± 3.750	3.750										
± 4.500	4.500										
± 5.000	5.000										
± 5.625	5.625										
± 6.250	6.250										
± 7.500	7.500										
± 8.750	8.750										
± 10.000	10.000										
± 12.500	12.500										
± 15.000	15.000										
± 17.500	17.500										
± 20.000	20.000										
± 25.000	25.000										
± 30.000	30.000										
± 37.500	37.500										
± 45.000	45.000										
± 50.000	50.000										
± 56.250	56.250										
± 62.500	62.500										
± 75.000	75.000										
± 87.500	87.500										
± 100.000	100.000										
± 125.000	125.000										
± 150.000	150.000										
± 175.000	175.000										
± 200.000	200.000										
± 250.000	250.000										
± 300.000	300.000										
± 375.000	375.000										
± 450.000	450.000										
± 500.000	500.000										
± 562.500	562.500										
± 625.000	625.000										
± 750.000	750.000										
± 875.000	875.000										
± 1000.000	1000.000										
± 1250.000	1250.000										
± 1500.000	1500.000										
± 1750.000	1750.000										
± 2000.000	2000.000										
± 2500.000	2500.000										
± 3000.000	3000.000										
± 3750.000	3750.000										
± 4500.000	4500.000										
± 5000.000	5000.000										
± 5625.000	5625.000										
± 6250.000	6250.000										
± 7500.000	7500.000										
± 8750.000	8750.000										
± 10000.000	10000.000										
± 12500.000	12500.000										
± 15000.000	15000.000										
± 17500.000	17500.000										
± 20000.000	20000.000										
± 25000.000	25000.000										
± 30000.000	30000.000										
± 37500.000	37500.000										
± 45000.000	45000.000										
± 50000.000	50000.000										
± 56250.000	56250.000										
± 62500.000	62500.000										
± 75000.000	75000.000										
± 87500.000	87500.000										
± 100000.000	100000.000										
± 125000.000	125000.000										
± 150000.000	150000.000										
± 175000.000	175000.000										
± 200000.000	200000.000										
± 250000.000	250000.000										
± 300000.000	300000.000										
± 375000.000	375000.000										
± 450000.000	450000.000										
± 500000.000	500000.000										
± 562500.000	562500.000										
± 625000.000	625000.000										
± 750000.000	750000.000										
± 875000.000	875000.000										
± 1000000.000	1000000.000										
± 1250000.000	1250000.000										
± 1500000.000	1500000.000										
± 1750000.000	1750000.000										
± 2000000.000	2000000.000										
± 2500000.000	2500000.000										
± 3000000.000	3000000.000										
± 3750000.000	3750000.000										
± 4500000.000	4500000.000										
± 5000000.000	5000000.000										
± 5625000.000	5625000.000										
± 6250000.000	6250000.000										
± 7500000.000	7500000.000										
± 8750000.000	8750000.000										
± 10000000.000	10000000.000										
± 12500000.000	12500000.000										
± 15000000.000	15000000.000										
± 17500000.000	17500000.000										

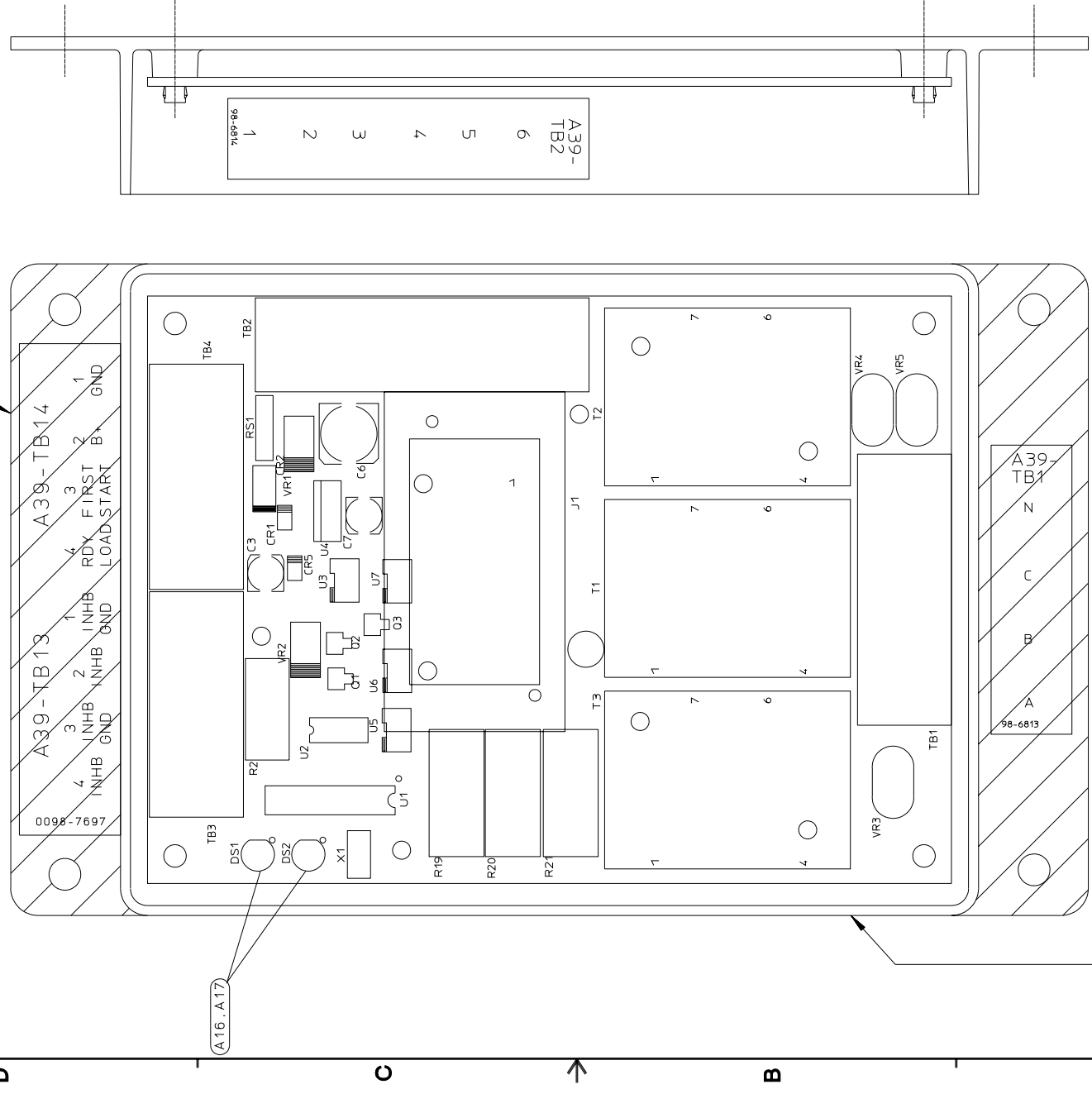
REV. NO.	DATE	DESCRIPTION	BY	CHKD	APPROVED	DATE
FRD0463	A	1	PRODUCTION RELEASE			08-08-00
FRD269	B	1	ROTATE TBZ LABEL 180°			02-27-01
FRD9323	C	3	ADD ITEM 44 AS R3, 0340-0041-21			07-06-01
		4	ITEM 32 WAS 0332-3747			07-06-01
		5	ITEM 16 WAS QTY. 2, MV R11 TO ITEM 13			07-06-01
		6	ITEM 13 WAS QTY. 6, ADD R22-R23			07-06-01
		7	MV BARCODE TO OPPOSITE SIDE OF SHELL			07-06-01
		8	ADD CONTROL LABEL			07-06-01
FRD2187	D	1	ADD 0332-0444-02, QTY. 2 FOR DS1DS2			08-12-04

NOTES:

- CIRCUIT BOARD SHALL BE SOLDERED AT MAX SOLDER TEMP OF 500°F AND MAX TIME OF 6 SECONDS.
- SOLDER JOINTS AND/OR COMPONENT LEADS SHALL NOT PROJECT MORE THAN 1/8" BEYOND BOARD SURFACE.
- MINIMUM POTTING MATERIAL SHOULD BE USED TO ENSURE COMPONENT LEAD COVERAGE. J1 LEADS MUST BE COVERED.
- TEST PRINTED CIRCUIT BOARD.
- PLACE BARCODE LABEL ON POTTING SHELL, AS SHOWN.
- THIS AREA TO FREE OF POTTING MATERIAL.

ASSEMBLY PART NUMBER	ECO NUMBER	VOLTAGE
0300-4985-01	FRD21187	120V 18V
0300-4985-02	FRD21187	240V 18V
0300-4985-03	FRD21187	346V 18V
0300-4985-04	FRD21187	69V 18V

NOTE:  
 ALL FILES USED TO CREATE THIS ASSEMBLY ARE STORED IN THE PCB FILE DISTRIBUTION DATABASE.  
 ANY SOFTWARE FILES REQUIRED FOR THIS ASSEMBLY ARE STORED IN THE SOFTWARE DISTRIBUTION DATABASE.



SECONDARY SIDE W/O SHELL

-THIS IS A CONTROLLED PRODUCT-  
 PER OMN PROCEDURE PFE-002  
 TO MAINTAIN CONTROL THIS PRODUCT MUST BE IDENTIFIED BY THE CODES:  
 □ CSA □ SCL □ DEC □ OTHER □ DRVA □ DRVC  
 AND/OR ASSN INTERNAL OMN DESIGN CONTROL FACILITIES □  
 CHANGES, DEVIATIONS OR SUBSTITUTIONS OF MATERIAL APPROVED BY THE FOLLOWING DESIGN CONTROL FACILITIES:  
 DESIGN CONTROL FACILITY FIELD#1: \_\_\_\_\_  
 DESIGN CONTROL FACILITY FIELD#2: \_\_\_\_\_

HP SYS DWG DO NOT SCALE PRINT  
 SCALE 1:2 TO 1  
 MAKE IN: 2  
 DRAWN BY: 2 TO 1

TOLERANCES UNLESS OTHERWISE SPECIFIED	SM. DIM.	FRAC.	DEC.	THIRD ANGLE PROJECTION	APPROVED FOR RELEASE	DATE
mm						08-08-00
inch						08-08-00

ITEM	PART NO.	QTY	SIZE	DESCRIPTION OR MATERIAL	REF.
DR	MARK R. DAL SKEL				
MFG	MARK SCHULTZ				
APPROVED FOR RELEASE	MARK SCHULTZ				
DATE	08-08-00				

MINNEAPOLIS, MINNESOTA	55432
TITLE	PCB ASSY-FIRST STRT PT
DWG NO	0300-4985
SHEET NO	2 of 2

1

2

3

4

5

6

1

2

3

4

5

6