

300-4250

1

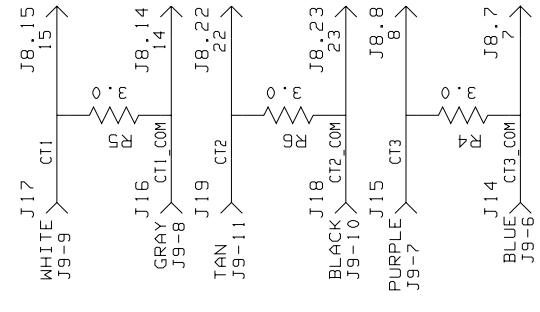
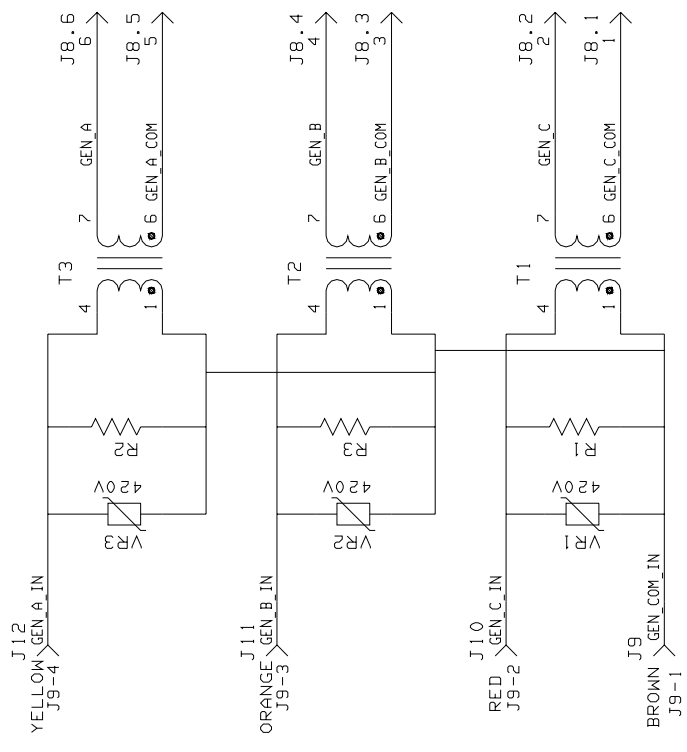
2

3

↓

↓

EP NO.	LTG. NO.	REVISION	ZONE	OR.	CHKD APPROVED	DATE
64,828	B	1			CPH TM	06-21-93
		2			CPH TM	06-21-93
66,590	C	1			CPH TM	01-10-94
		2			CPH TM	01-10-94
		3			CPH TM	01-10-94
		4			CPH TM	01-10-94
		5			CPH TM	01-10-94
68,859	D	1			MRD TJM	03-16-95
72,063	E	1			MRD BG	01-30-96
71,411	F	1			MRD BG	09-03-96



PT VOLTAGE TABLE

ASSY DWG NO.	GEN		R1, R2, R3 Value
	PRI	SEC	
300-4250-01	120V	18V	51k ohms
300-4250-02	240V	18V	51k ohms
300-4250-03	346V	18V	110k ohms

1

2

3

4

5

6

A

B

C

D

HP SYSTEM DWG

SCALE: 1:1

ANG TOL: ±

MATERIAL: 300-4250-01

PROJECTION: THIRD ANGLE

DATE: 05-21-93

NAME: DR CRAIG P HEALY

ITEM PART NO.: 300-4250-01

DESCRIPTION OR MATERIAL: PCB ASSY-PT/CT

MINNEAPOLIS, MINNESOTA 55432

ONAN

300-4250

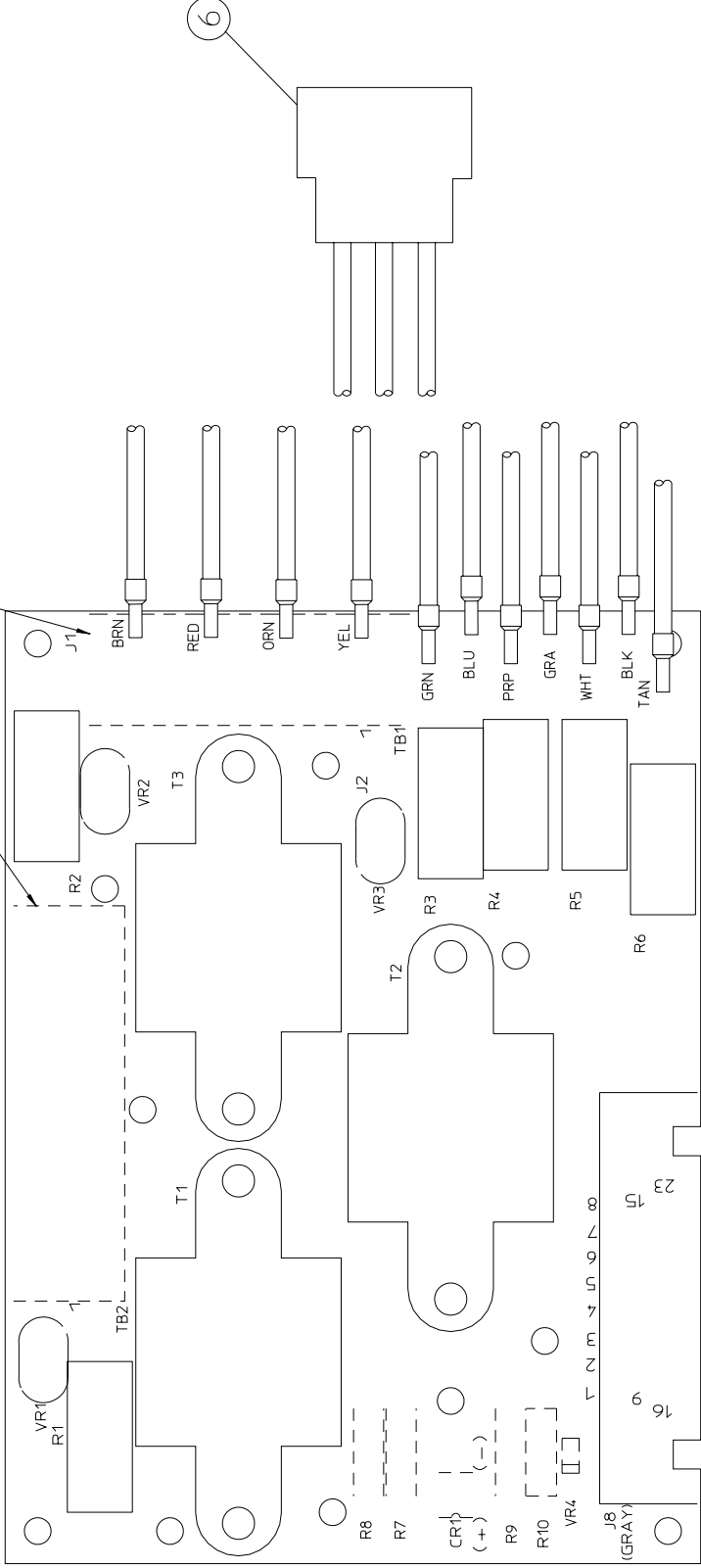
1 OF 2

ER NO.	LT/REV	REVISION	ZONE	DR	CHKD	APPROVED	DATE	
64.674	A	1	PRODUCTION RELEASE				03-18-93	
64.968	B	2	REVISED PER ER				08-03-93	
66.690	C	2	DEL ITEMS 4,8,9,17 FOR -01				01-10-94	
		3	ITEMS 10-12, WERE 315-0733				01-10-94	
		4	ADD ITEM 18 QTY 3 FOR -01 AND -02				01-10-94	
		5	ADD ITEM 19 QTY 3 FOR -03				01-10-94	
68.859	D	1	ADD UL/CSA LABEL				03-16-95	
72.063	E	1	DEL ITEMS 13-15, QTY 6 EA. ALL ASSYS	Z-A	MRD	BG	ROV	01-30-96
71.411	F	1	ITEM 1 WAS 332-3216	Z-A	MRD	BG	ROV	09-01-96

DASHED OUTLINE INDICATES UNUSED PLACEMENTS

NOTES:

1. CIRCUIT BOARD SHALL BE SOLDERED WITH ITEM #2 AT MAX SOLDER TEMP OF 500°F AND MAX TIME OF 6 SECONDS.
2. SOLDER JOINTS AND/OR COMPONENT LEADS SHALL NOT PROJECT MORE THAN 1/8" BEYOND BOARD SURFACE.
3. TEST PRINTED CIRCUIT BOARD PER ITEM #3.



QTY	LT	QTY	LT	QTY	LT	QTY	LT	QTY	LT	QTY	LT	QTY	LT
3	-	19	351-1600-49	RESISTOR(110K.5W.5%)	R1-3								
-	3	18	351-1600-41	RESISTOR(51K.5W.5%)	R1-3								
3	3	16	359-0106	VARIABLE-METOXIDE(420V)	VR1-3								
		15											
		14											
3	-	12	315-0746-03	TRANSFORMER-POWER(346:18)	T1-3								
-	3	-	11	315-0746-02	TRANSFORMER-POWER(240:18)	T1-3							
-	3	10	315-0746-01	TRANSFORMER-POWER(120:18)	T1-3								
		9											
3	3	7	304-0815	RESISTOR(3.0.5W.1%)	R4-6								
1	1	1	6 338-3018	HARNES-PCB	J8								
1	1	1	5 323-1606-03	CONNECTOR-HDR(GRAY 23 PIN)	J8								
		4											
AR	AR	AR	2 880-0003	IN CIRCUIT TEST SPEC									
1	1	1	1 332-3542	SOLDER-BAR (IN OUNCES)									
		1		PCB-PT/CT									

THIS DOCUMENT IS FOR INTERNAL USE ONLY.
 IT IS NOT TO BE DISTRIBUTED OUTSIDE THE COMPANY.
 IF IT COSTS ARE TRANSMITTED:
 BY FAX BY TELEPHONE BY AIR
 APPROVED BY: _____ DATE: 03-17-95
 FACILITY: DUBLIN, OH, KAMNETZ
 SIGNATURE: _____ DATE: _____

HP SYSTEM DWG

MINNEAPOLIS, MINNESOTA 55432
Onan
 TITLE: PCB ASSY-PT/CT
 DWG NO: 300-4250
 SHEET NO: 2 of 2

DATE	DESCRIPTION OR MATERIAL	REV
03-18-93		1
03-19-93		2
03-19-93		3