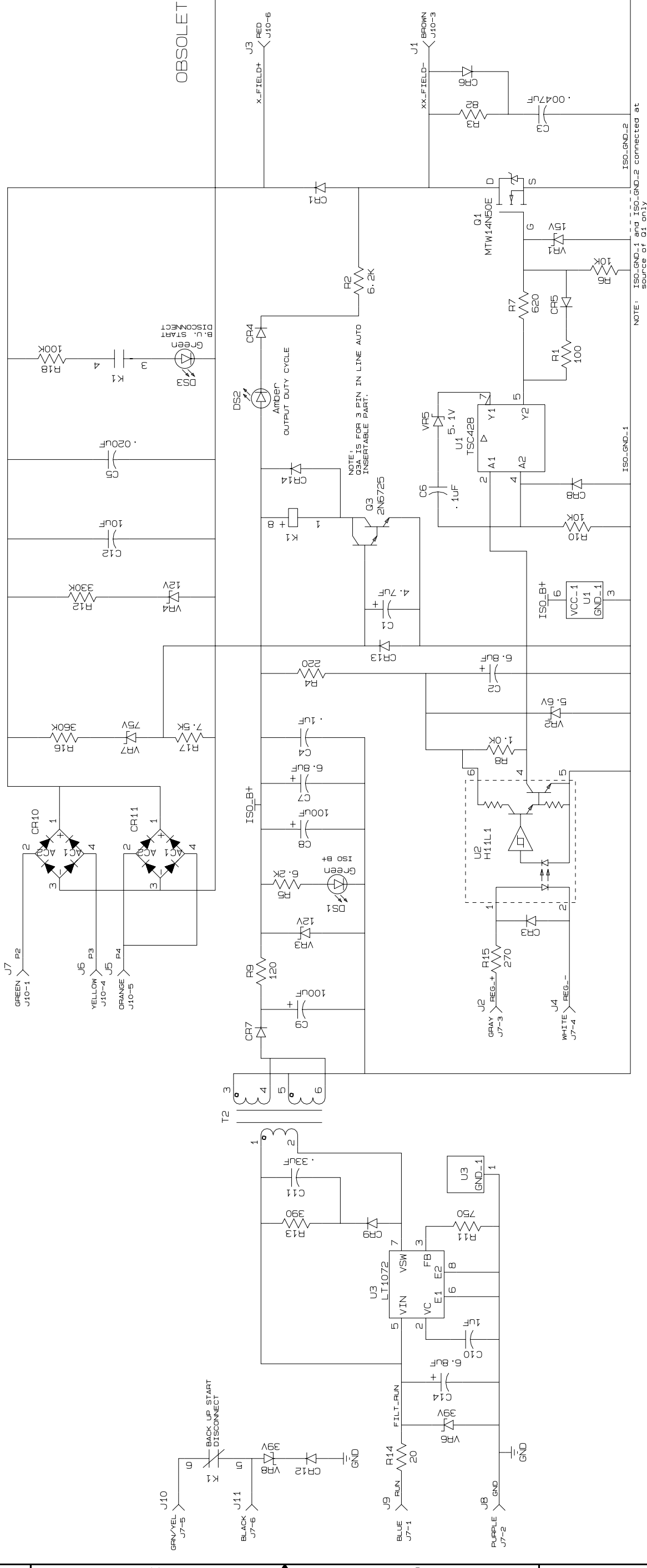


REV. NO.	DATE	BY	CHKD.	DESCRIPTION
1	03-20-00	TJM	MDJ	GGJ
2	03-20-00	TJM	MDJ	GGJ
3	03-20-00	TJM	MDJ	GGJ
4	03-20-00	TJM	MDJ	GGJ
1	03-09-02	MFD	JEM	GGJ



QTY	ITEM	PART NO.	REV.	DESCRIPTION OR MATERIAL	DATE
	OR	TOM WIELAND	02-28-00		
	OR	MFG D'HAERK R. DALSKO	03-29-00		
	OR	APPROVED BY GARY JEZEWSKI	03-30-00		

CUMMINS POWER GENERATION  
INDICATED BY W/43P

TITLE  
PCB ASSY-RGLTR  
SHEET NO. 1 OF 2  
ENG. NO. 0300-4085

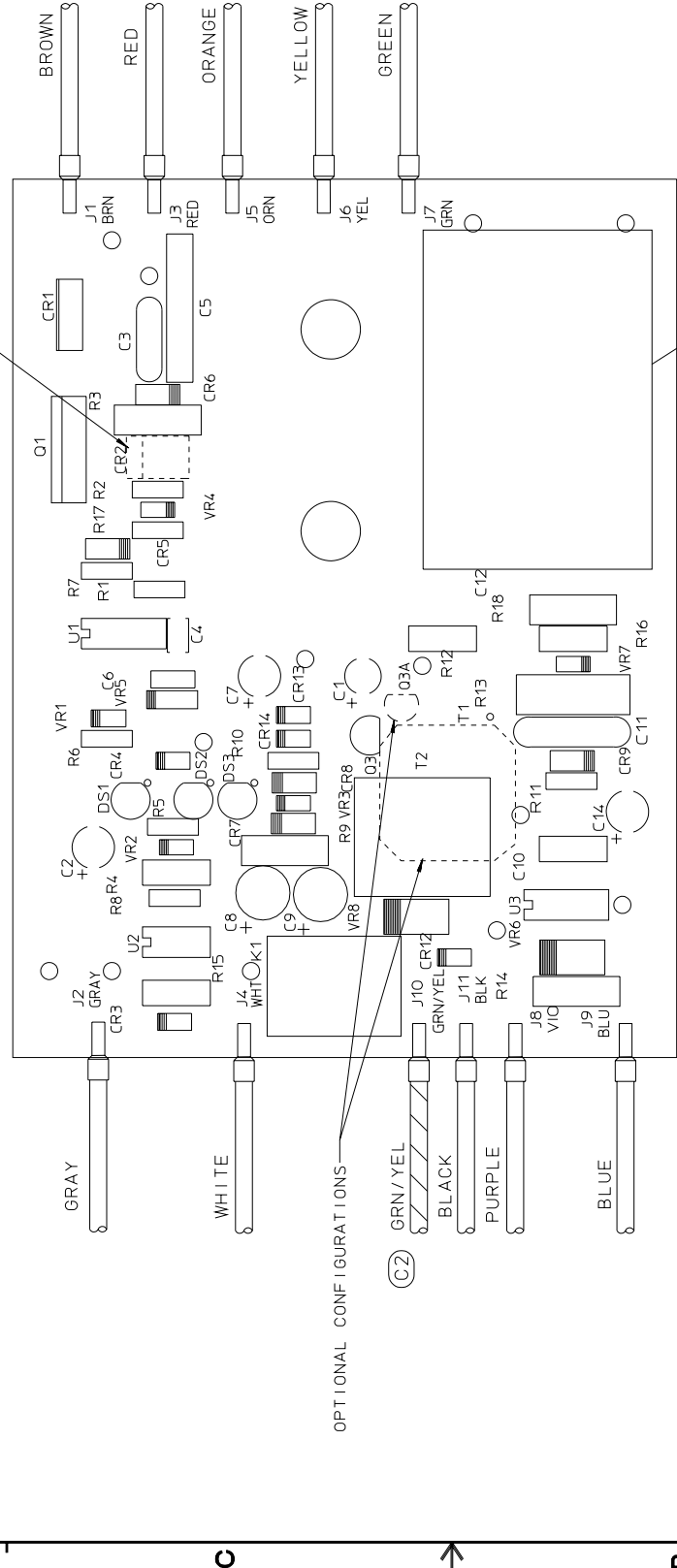
HP SYS DWG  
DO NOT PRINT  
PAGE 9

**OBSOLETE**

- NOTES:
- CIRCUIT BOARD SHALL BE SOLDERED WITH ITEM #2 AT MAX SOLDER TEMP OF 500°F AND MAX TIME OF 6 SECONDS
  - SOLDER JOINTS AND/OR COMPONENT LEADS SHALL NOT PROJECT MORE THAN 1/8" BEYOND BOARD SURFACE.
  - TEST PRINTED CIRCUIT BOARD PER ITEM #3.

REV NO	LT	TR	NO	REVISION	ZONE	CHKD	APPROVED	DATE
64	B24	A	1	PRODUCTION RELEASE	-	MRO	J.M.GPH	03-18-93
64	968	B	2	REVISED PER ER	-	SMB	J.M.GPH	08-03-93
65	979	C	2	ITEM 1 WAS 332-3164	2-A	MRO	J.M.GPH	09-28-93
66	127	D	3	GRN/YEL WAS TAN	6-C	MRO	J.M.GPH	09-28-93
66	127	D	3	ITEM 24 WAS 362-0100	2-B	MRO	J.M.GPH	10-20-93
66	127	D	3	ITEM 30 WAS 350-0077	2-B	MRO	J.M.GPH	10-20-93
66	418	E	4	---	---	---	---	---
67	096	F	1	ITEM 17 WAS QTY. 1 (ADD CR7)	2-B	MRO	TAS/CPH	03-18-94
67	096	F	1	ITEM 18 WAS QTY. 4 (DEL CR7)	2-B	MRO	TAS/CPH	03-18-94
67	096	F	1	ITEM 32 WAS 351-5996-41 (Z2 CHM)	2-B	MRO	TAS/CPH	03-18-94
68	859	G	1	ADD UL/CSA LABEL	3-A	MRO	J.M.GPH	03-18-96
72	359	H	1	ADD 0300-4085-01 (TZV VERSION)	---	---	---	---
74	413	J	1	ITEM 1 WAS 332-3325	2-A	MRO	B3	09-09-96
74	413	J	1	ITEM 36 (LOT ONLY) WAS 337-0341	2-A	MRO	B3	09-09-96
FRD	4566	K	2	ITEM 1 WAS 332-3543	2-C	MRO	J.M.GG	10-16-96
FRD	4566	K	3	ITEM 4 WAS 356-0170-12	2-A	MRO	J.M.GG	03-30-00
FRD	4566	K	4	ITEM 53 WAS 356-0170-11	2-C	MRO	J.M.GG	03-30-00
FRD	14378	L	1	OBS. SUPSD BY 0300-4306	---	---	---	10-09-02

ALL PART NUMBERS ARE FOR ST. PETER USE ONLY



12  
13

TABULATION	
PART NO	ER NO.
0300-4085	FRD14378
0300-4085-01	FRD14378
	12V

NOTE:  
ALL FILES USED TO CREATE THIS ASSEMBLY ARE STORED IN THE PCB FILE DISTRIBUTION DATABASE.

THIS DOCUMENT IS CONTROLLED BY THE COMPANY AND IS TO BE KEPT IN CONFIDENTIALITY. ANY CHANGES OR REVISIONS TO THIS DOCUMENT MUST BE APPROVED BY THE DESIGN ENGINEER LISTED DATE 03-17-95  
 DESIGNER: DIMITRIE C. KAMNETZ DATE: \_\_\_\_\_  
 SIGNATURE: \_\_\_\_\_ DATE: \_\_\_\_\_

Do	Not	Scale	Print
<input type="checkbox"/>	<input type="checkbox"/>	<input type="checkbox"/>	<input type="checkbox"/>
<input type="checkbox"/>	<input type="checkbox"/>	<input type="checkbox"/>	<input type="checkbox"/>
<input type="checkbox"/>	<input type="checkbox"/>	<input type="checkbox"/>	<input type="checkbox"/>
<input type="checkbox"/>	<input type="checkbox"/>	<input type="checkbox"/>	<input type="checkbox"/>
<input type="checkbox"/>	<input type="checkbox"/>	<input type="checkbox"/>	<input type="checkbox"/>

ITEM PART NO.	QTY	DESCRIPTION OR MATERIAL	DATE
DR MARK R. DALSKO	03-19-93		
MFG TOM WIELAND	03-19-93		
APPROVED CRAIG HEALY	03-19-93		
FOR INTERNAL USE ONLY			
FOR TESTING ONLY			
FOR PRODUCTION USE ONLY			
FOR SCRAP ONLY			
FOR REWORK ONLY			
FOR RETEST ONLY			
FOR REPAIR ONLY			
FOR DISPOSITION ONLY			
FOR REUSE ONLY			
FOR RECYCLE ONLY			
FOR OTHER USE ONLY			

MINNEAPOLIS, MINNESOTA	55432
TITLE	PCB ASSY-RGLTR
DRG NO.	0300-4085
SHEET NO.	2 of 2
ONAN	
POWERCOMMAND	

HP SYSTEM DWG